

ECR 80 / 90


ECM Motor with Integrated Electronic Control

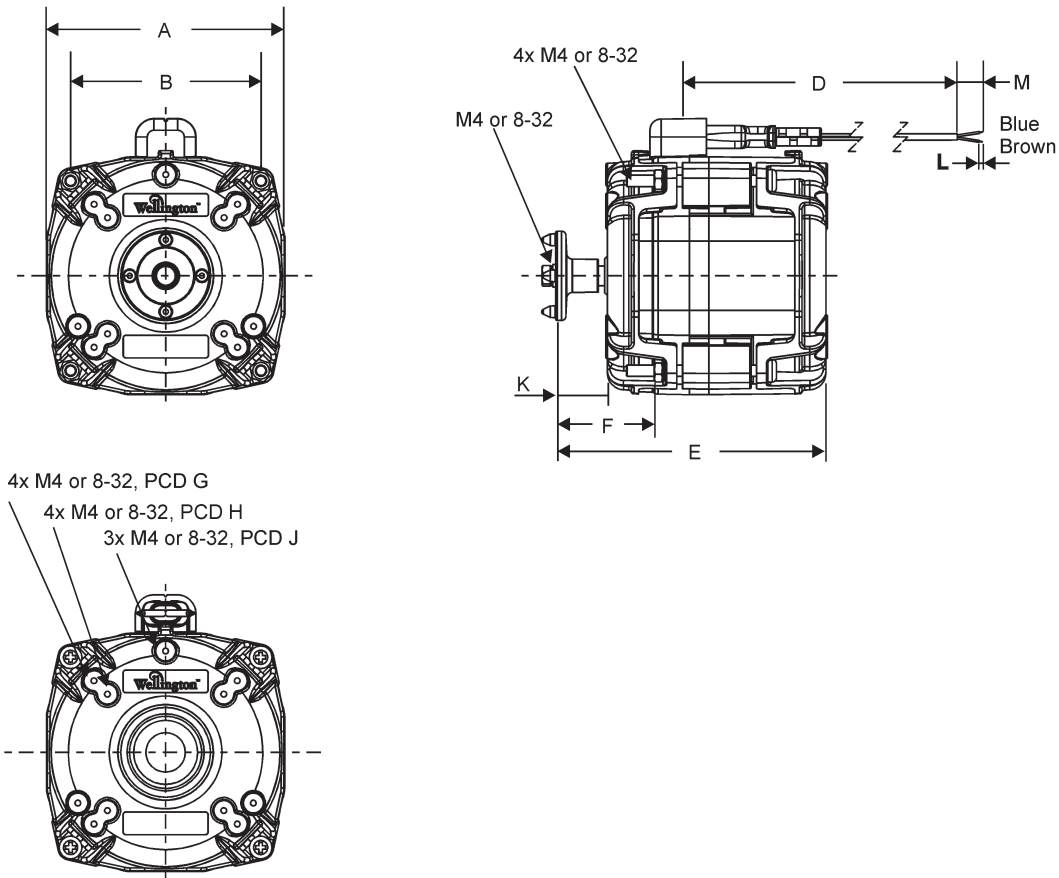


Motor	Nominal Voltage V / Hz	Current A	Speed RPM	Output Power W	Protection IP
ECR80xxx4	230 / 50-60	0.17	1250	9	44
ECR80xxx1	230 / 50-60	0.23	1300	12	44
ECR80xxx2	230 / 50-60	0.25	1300	16	44
ECR80xxx3	230 / 50-60	0.32	1500	20	44
ECR90xxx4	115 / 60	0.20	1250	7	44
ECR90xxx1	115 / 60	0.25	1550	9	44
ECR90xxx2	115 / 60	0.35	1550	12	44
ECR90xxx3	115 / 60	0.40	1550	16	44

IP55 available upon request

Product Specifications

Approvals	
Speed	Standard speed.
Electronic Control Safety Features	<p>If the motor fails to start or if the speed is forced outside the preset range, locked rotor/stall detection switches the motor to standby mode, with automatic restart after 90 seconds. This software detection protects the motor with a timed restart algorithm to limit maximum winding temperature.</p> <p>Non-resettable thermal protection permanently stops the motor if over-temperature occurs. Software protects the motor from most external conditions that could trigger over-temperature (refer to locked rotor/stall detection above).</p>
Moisture and Dust Protection	The ECR80/90 motors are IP44 standard and are available as IP55 upon request for even higher moisture and dust protection. In all ECR80/90 motors the electronic control board is potted for complete moisture protection.
Operating Temperature	-30°C to +40°C (-22°F to +104°F).
Voltage Range	190-254V 100-127V
Direction of Rotation	CCW SE
Weight	1.1 kg (2.43 lb)
Special Designs	<p>IP55 for even higher humidity and dust protection.</p> <p>Different power leads and motor plugs (for more information, please refer to page 24).</p> <p>Special voltages.</p> <p>For more special designs, please contact a Wellington office near you.</p>



Dimensions	A	B	D	E	F	G	H	J	K	L	M
mm	84	67	381	96	34.8	71.4	58	71.4	18	7	50
inches	3.30	2.64	15	3.78	1.37	2.81	2.28	2.81	0.71	0.28	1.97

G, H and J screws maximum depth is 6 mm (0.23 inches).

Blue	Neutral
Brown	Line / Phase