



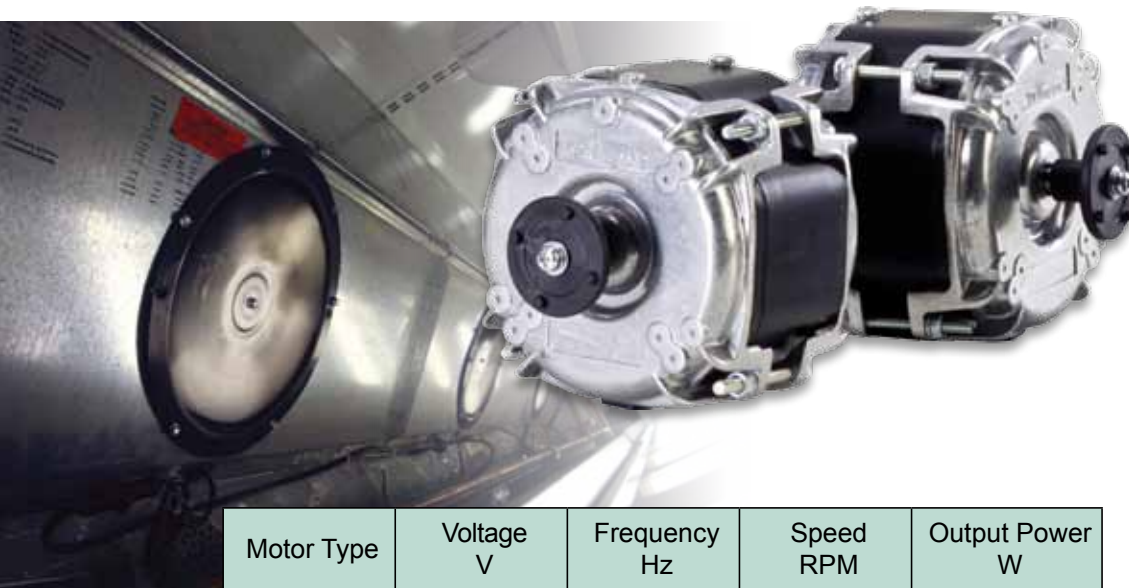
NEW PRODUCT

# ECR 82/92

## ECM Refrigeration Motor Fans

ENERGY SAVING REPLACEMENT FOR SHADED POLE AND PSC INDUCTION MOTORS

Electronically commutated solutions for refrigeration applications. ECR82/92 motors have standard metal and plastic accessories and the same exterior design as 5W shaded pole motors, but much higher efficiency.



Use **70%** less energy

Motor Type	Voltage V	Frequency Hz	Speed RPM	Output Power W
ECR 92	120	60	1800	16
ECR 82	230	60	1800	16
ECR 82	230	50	1500	12

### FEATURES:

- Electronically commutated (ECM)
- Integrated electronic control
- Drop in retrofit solution
- High efficiency
- Moisture and humidity resistant
- Ultrasynch™ technology NEW!
- Payback < 1 year

### APPLICATIONS:

- Supermarket refrigerators
- Beverage merchandisers
- Vending machines
- Other condenser or evaporator applications

**MAIN OFFICE - USA**  
1407 Barclay Blvd,  
Buffalo Grove, IL 60089  
Toll free: 888 786 4153

**WEBSITE:** [www.wdtl.com](http://www.wdtl.com)



# Wellington®

*Saving Generation for the Next Generation*

## Drop in Replacement of Shaded Pole and PSC Motors

- Same size as a 5W shaded pole motor
- Standard speed and direction of rotation
- Standard mounting systems
- Standard plastic and metal accessories range
- Lyall plug

### Benefits

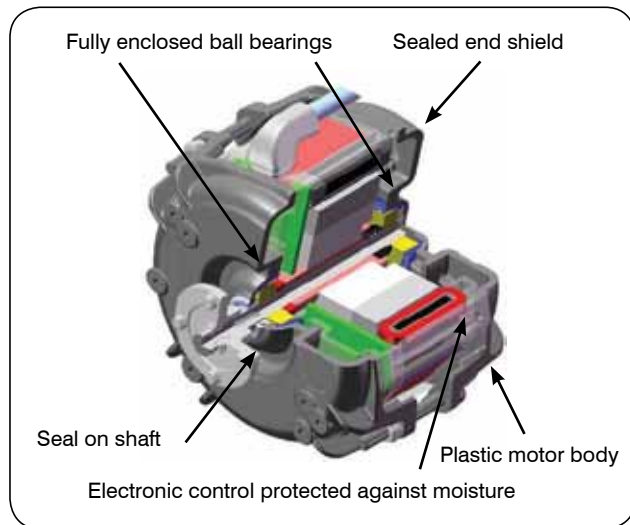
#### Energy Saving

Much higher efficiency than shaded pole and PSC motors. Motor “cool” operation mean less heat in the refrigerator.

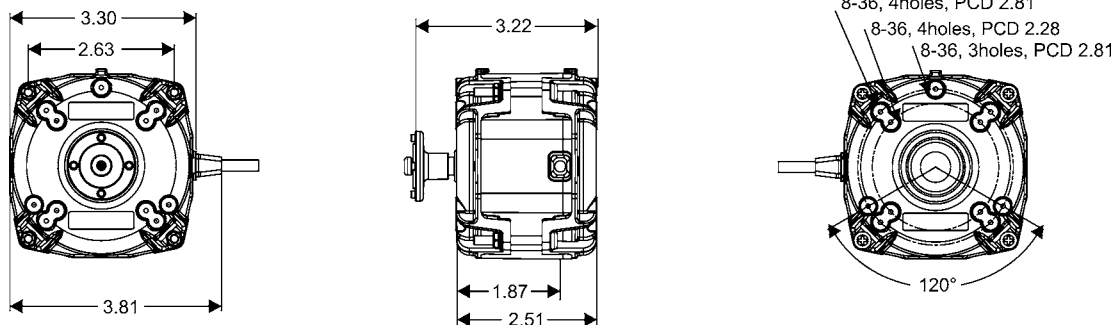
- Energy savings of ~ 70%
- Payback < 1 year
- Rebates and incentives across the United States

#### Moisture and Dust Protection

ECR 82/92 are IP55 motors designed to operate in a high moisture environment. We achieve superior moisture resistance with the following construction features:



#### Product Dimensions:



**UltraSynch™** Technology means that the motor maintains an absolutely constant speed across a wide voltage range (185-250V and 90-140V).

The ECR82/92 achieve this with on board electronics and special software that measures the AC supply many times each second and “locks” the motor speed to the AC supply frequency.

#### Timed Reverse

Automatically reverse condenser fans for a software preset time during compressor “off” periods. Helps keep condenser fins and coils cleaner and more efficient. No relays needed, saving costs.

#### Bearings

Fully enclosed, long life ball bearings mean that motor can be mounted in any position. 60,000 hours design life at +68°F.

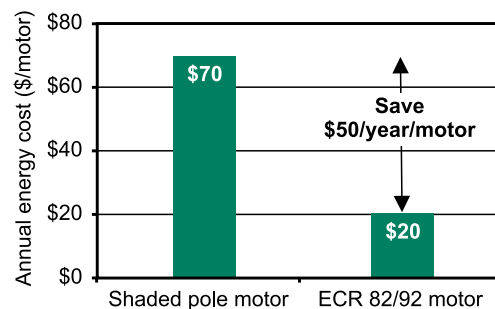
#### Inventory

ECR 82/92 replace a wide range of shaded pole and PSC motors, reducing inventory.

#### Materials

ECR82/92 are built using 30% less copper and 80% less steel for a greener, more affordable electronically commutated (ECM) solution.

#### Energy Cost Savings. Shaded Pole vs ECR82/92<sup>1</sup>



<sup>1</sup> 12 W motor. Compressor savings included. Price of electricity 0.12 \$/kWh.