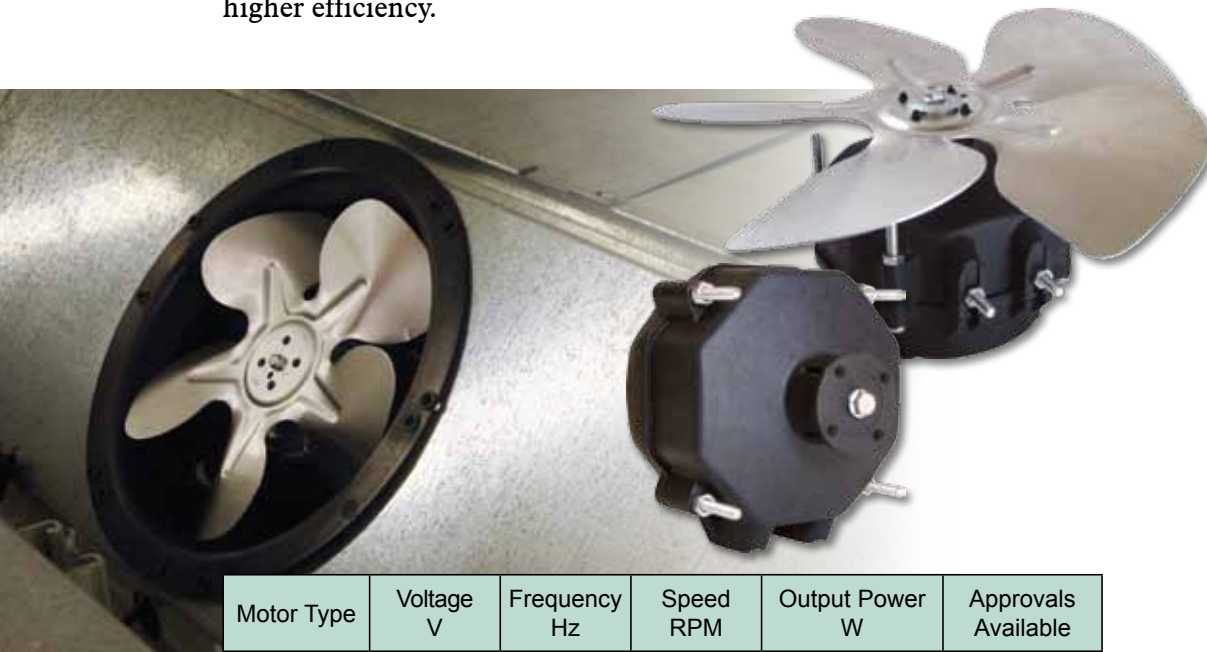


ECR UltraSynch™

ECM Refrigeration Motor Fans

ENERGY SAVING REPLACEMENTS FOR SHADED POLE AND PSC INDUCTION MOTORS

Electronically commutated motors for refrigeration applications with new advanced plastic housing. ECR UltraSynch have standard accessories and the same size as 5W shaded pole motors, but much higher efficiency.



Use
70%
less
energy

Motor Type	Voltage V	Frequency Hz	Speed RPM	Output Power W	Approvals Available
ECR 92P	120	60	1800	16	UL, cUL
ECR 82P	230	60	1800	16	UL, cUL
ECR 82P	230	50	1500	12	CE, VDE, ATEX, CCC

FEATURES:

- Electronically commutated (ECM)
- Integrated electronic control
- Drop in retrofit solution
- High efficiency
- Highest moisture resistance: IP55 NEW!
- UltraSynch™ technology
- Payback < 1 year

APPLICATIONS:

- Supermarket refrigerators
- Beverage merchandisers
- Vending machines
- Other condenser or evaporator applications

MAIN OFFICE - USA
1407 Barclay Blvd
Buffalo Grove, IL 60089
Toll free: 888 786 4153

WEBSITE: www.wdtl.com

ESTORE: www.wdtlstore.com

Drop in Replacement of Shaded Pole and PSC Motors

- Same size as a 5W shaded pole motor
- Standard speed and direction of rotation
- Standard mounting systems
- Standard plastic and metal accessories range
- Lyall plug

Benefits

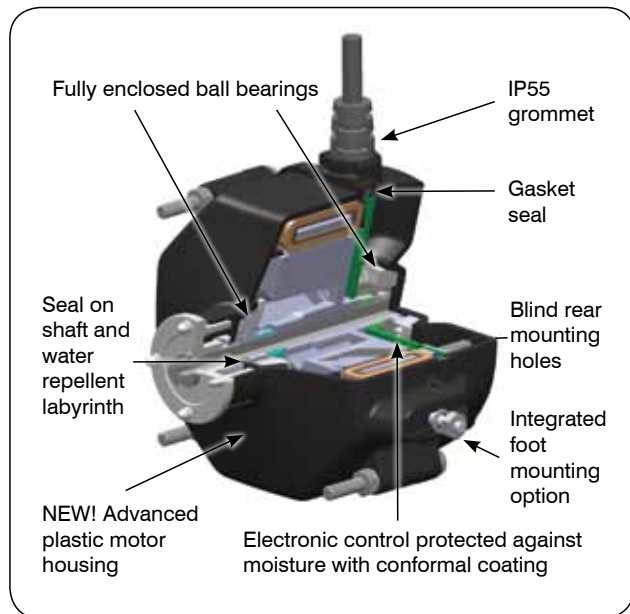
Energy Saving

Much higher efficiency than shaded pole and PSC motors. Motor “cool” operation means less heat in the refrigerator.

- Energy savings of ~ 70%
- Payback < 1 year
- Rebates and incentives across the United States

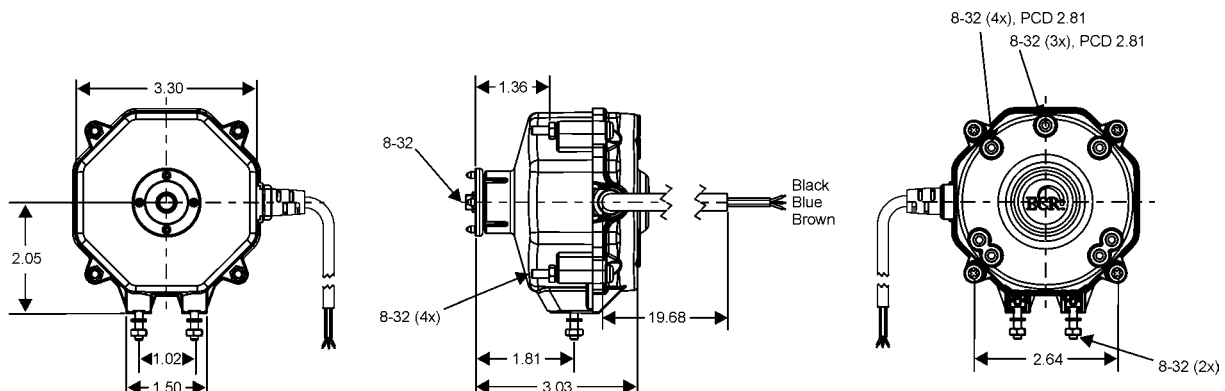
Moisture and Dust Protection

ECR UltraSynch are IP55 motors designed to operate in a high moisture environment. The new advanced plastic housing allows us to achieve the highest moisture resistance. Features include:



Product Dimensions

Dimensions in inches



UltraSynch™ Technology means that the motor maintains an absolutely constant speed across a wide voltage range (190-254V and 90-140V).

The ECR UltraSynch achieve this with on board electronics and special software that measures the AC supply many times each second and “locks” the motor speed to the AC supply frequency.

Timed Reverse

Automatically reverse condenser fans for a software preset time during compressor “off” periods. Helps keep condenser fins and coils cleaner and more efficient. No relays needed, saving costs.

Bearings

Fully enclosed, long life ball bearings mean that motor can be mounted in any position. 60,000 hours design life at +68°F.

Operating Temperature

-22°F to 104°F

Inventory

ECR UltraSynch replace a wide range of shaded pole and PSC motors, reducing inventory.

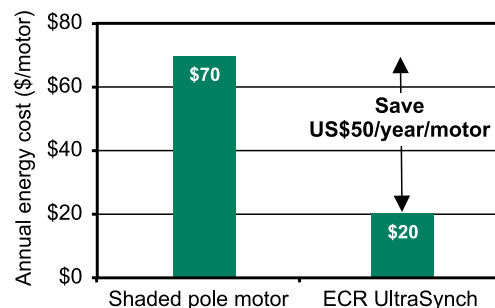
Materials

Advanced plastic housing. ECR UltraSynch are built using 30% less copper and 80% less steel for a greener, more affordable electronically commutated (ECM) solution.

Electronic Control Safety Features

Integrated electronic control is provided with locked rotor/stall detection and self-resetting thermal protection safety features for longer motor life and improved reliability.

Energy Cost Savings. Shaded Pole vs ECR UltraSynch¹



¹ 12 W motor. Compressor savings included. Price of electricity 0.12 \$/kWh. Savings may vary.